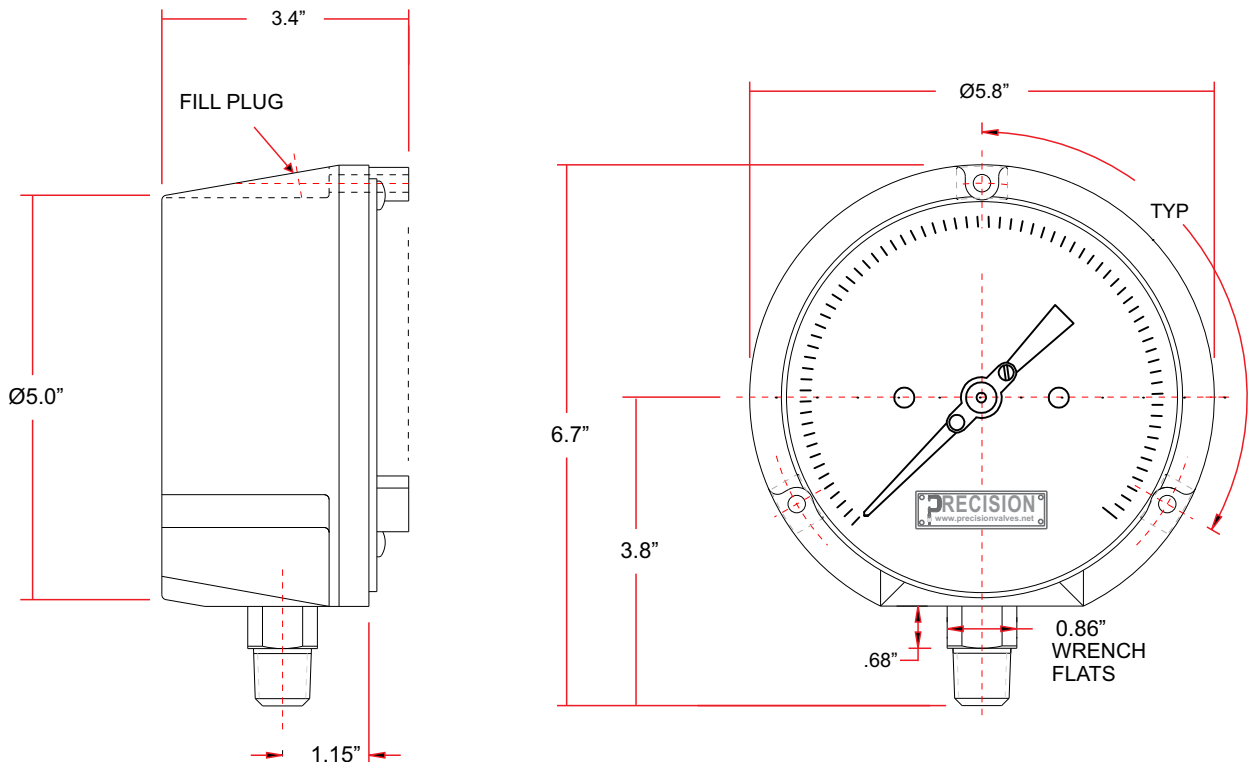


# PRECISION Pressure Gauges

## 4.5" Turret Case Process Gauge

### Features

- 4 1/2" Dial
- Phenolic Case with Stainless Steel Movement
- 316L SS Tube & Socket, NACE compliant
- 304 SS Movement (316SS Movement Available)
- Accuracy ASME B40.1 Grade 2A, 0.5%
- Micrometer Adjustable Pointer
- Solid Front Blow Out Back for Safety
- Safety Glass Lens
- Available Dry, Glycerin Filled & Silicone Filled
- Ip65 - EN 60529/IEC 529 Ingress Protection
- Tig Argon Arc Welded Joints
- Dry Maximum Ambient Temperature 150°F
- Glycerin Filled Maximum Process Temperature 200°F
- Over Pressure Protection > 1500 Psig 125% of Scale
- Over Pressure Protection 1500 Psig - 5000 Psig 115% of Scale
- Over Pressure Protection 10,000 - 20,000 Psig 110% of Scale
- Over Pressure Protection to 150% of Scale Available
- Siphons, Gauge Protectors & Diaphragm Seals Available
- Isolation & Gauge Valves Available

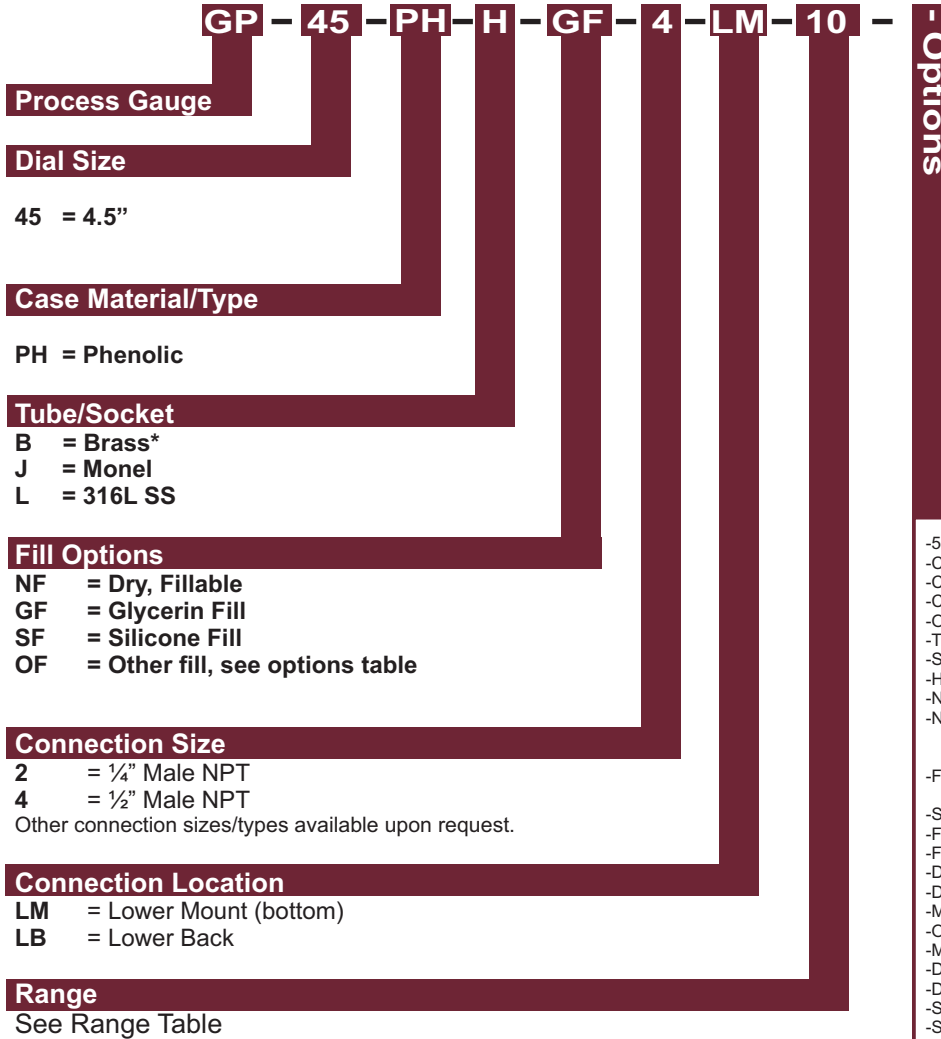


Specifications are subject to modification without prior notification

The New Standard in Gauge Quality!

# PRECISION Pressure Gauges

## Ordering Information



## Options

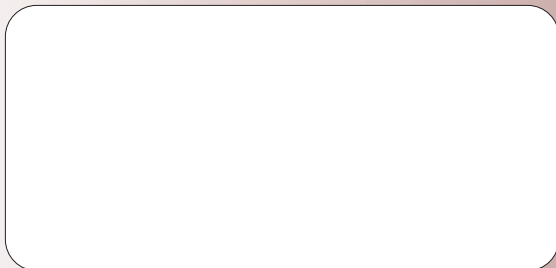
- 5C = 5 Point Calibration Certificate
- CT = Cal. Cert. NIST Traceable
- CD = Custom Dial
- CL = Customer Logo Dial
- OX = Oxygen Clean (Dry Gauges Only)
- TD = Tag # Marked on Dial
- ST = Stainless Steel Tag
- HT = Helium Leak Test Certificate
- NC = NACE Certificate
- NS = Wetted Components Individually Tested to NACE Standard with Certificate
- FR = Fiberglass Reinforced Polypropylene Case
- SS = 316SS Movement
- FS = Fillable with Silicone\*
- FF = Fluorolube Filled
- DD = Dual Dampened Dry Movement
- DS = Dampening Screw (316L SS)
- MS = Dampening Screw (Monel)
- OP = Overpressure Protection 150%
- MT = Material Test Reports\*\*
- DB = Dual Scale PSI/Bar
- DK = Dual Scale PSI/Kg/cm<sup>2</sup>
- SB = Single Scale Bar
- SK = Single Scale Kg/cm<sup>2</sup>

\* Gasket & Fill Plug NBR, Viton on request  
\*\* MTR for wetted parts only

Range	Order Code	Range	Order Code	Range	Order Code
30"-0 Vac	01	0-15 Psig	10	0-800 Psig	19
30"-0-15 Psig	02	0-30 Psig	11	0-1000 Psig	20
30"-0-30 Psig	03	0-60 Psig	12	0-1500 Psig	21
30"-0-60 Psig	04	0-100 Psig	13	0-2000 Psig	22
30"-0-100 Psig	05	0-160 Psig	14	0-3000 Psig	23
30"-0-160 Psig	06	0-200 Psig	15	0-5000 Psig	24
30"-0-200 Psig	07	0-300 Psig	16	0-10,000 Psig	25
30"-0-300 Psig	08	0-400 Psig	17	0-15,000 Psig	26
30"-0-600 Psig	09	0-600 Psig	18	0-20,000 Psig	27

\* Brass Internals offer 1% accuracy

Distributed by :



**Dynamic Controls & Sensors, Inc.**

Postal Address :  
**P.O. Box 5009**  
**Kingwood, TX 77325**

**Physical Address :**  
1515 Lakeville Dr., Suite C  
Kingwood, **TX 77339**

voice: 281-812-9844  
Fax: 281-812-9845  
[www.precisionvalves.net](http://www.precisionvalves.net)  
[sales@precisionvalves.net](mailto:sales@precisionvalves.net)  
Press + Temp Catalog Cut R0

