

PRECISION

Differential Pressure Instruments

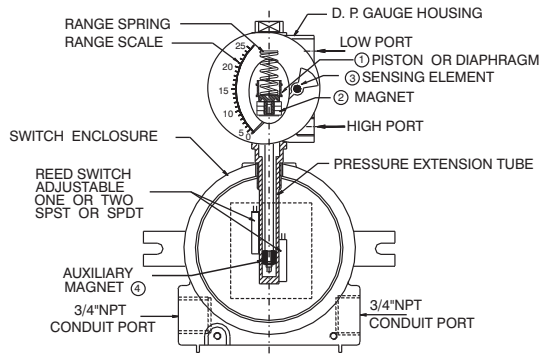


PRECISION Differential Pressure Instruments

PRECISION Instruments

Legacy Series Hazardous Location Models

HAZARDOUS LOCATION MODELS



EX-200 DPG, EX-200 DGR, EX-300 DGC, EX-400 DGC ΔP Range : As per model selected

COMBINATIONS

Gauge + switch
(with a terminal strip inside)



Switch



Specifications

Accuracy	$\pm 2\%$ of the FSD (Ascending)
Migration	As per the model selected
Range	As per the model selected
First marking on the scale	15 or 20% of the FSD, depending on the model selected
Sensing element	As per the model selected
Wetted parts	As per the model selected
Case material	Stainless steel (304 SS)
Dial size in inch /mm	3.5", 4", 4.5", 6"/ 80, 100, 115, 150
Mounting	As per the explosion proof box dwgs
Maximum working pressure	As per the model selected
Maximum process temperature	200° F/93° C
Body material	Aluminum, Brass & 316 SS
Seals	Buna-N, Viton & EPDM diaphragm & o-rings
Lens	Glass (std.), toughened glass & acrylic on request.
Connection	As per the model selected
Porting	Bottom (right side), back
Over range protection	As per the model selected
Protection for gauge & switch	NEMA-4/IP 65

MOUNTING BRACKETS

Gauge + switch
(2" pipe mounting)



Options

Customer logo
Dual scale
Colored band

Switches (As per model selected)

1 or 2 SPSTs with a terminal strip
1 or 2 SPDTs with a terminal strip

Switches and electrical connections are mounted in a special UL, CSA, FM, CENELEC, KEMA (ATEX) approved enclosure. The cast aluminum housing has a provision of two mounting slots and two 3/4" NPT (F) conduit ports for electrical connections. The UL & CSA certifications are for use in Class I, groups B, C, D, (NEMA type 7), class II, groups E, F and G, (NEMA type 9), Class III, Hazardous (classified) locations, out door application, NEMA type 4X. The CENELEC certification is to standard EN 50 014:1977+A1...A5, general requirement and EN 50 018:1977+A1...A3, flameproof enclosure " d ".



Contact Information



Dynamic Controls & Sensors, Inc.

Postal Address

Physical Address

P.O.Box 5009

1515 Lakeville Dr., Suite D

Kingwood, TX 77325

Kingwood, TX 77339

voice: 281-812-9844 Fax: 281-812-9845

www.precisionvalves.net

sales@precisionvalves.net