

# PRECISION

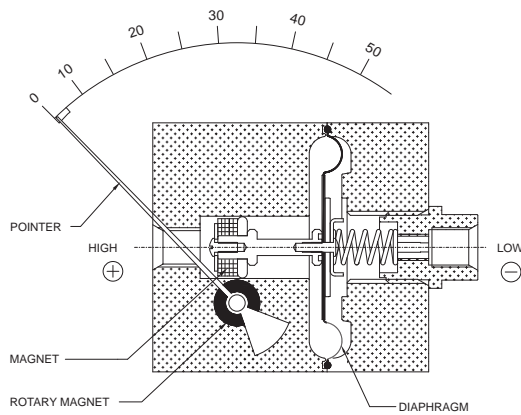
Differential Pressure Instruments



PRECISION Differential Pressure Instruments

# PRECISION Instruments

## Legacy Series 400DGC Convoluted Diaphragm Gauge



### 400 DGC

**ΔP Range :** 20-1 up to 0-25" H<sub>2</sub>O  
Flow ranges ideal for Pitot tube applications

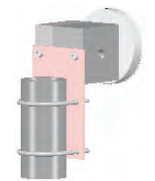
#### COMBINATIONS

##### Gauge



#### MOUNTING BRACKETS

##### Gauge



##### Gauge (Wall Mounting)



#### Specifications

Accuracy	±2% of the FSD (Ascending)
Migration	No migration : Zero leakage from high to low port
Range	0-1 up to 0-25" H <sub>2</sub> O or similar ranges in other units
First marking on the scale	15% of the FSD
Sensing element	Diaphragm
Wetted parts	Diaphragm, body material, 302SS spring & ceramic magnet
Case material	Stainless steel (304 SS)
Dial size in inch /mm	3.5", 4", 4.5", 6" / 80, 100, 115, 150
Mounting	Direct, front flange panel mounting & 2" pipe mounting
Maximum working pressure	500 psi.
Maximum process temperature	200° F/93° C
Body material	Aluminum, 316 SS
Seals	Buna-N (std.) or Viton diaphragm & o-rings
Window	Glass(std.), toughened glass & acrylic on request.
Connection	1/4" NPT(F) Std.
Porting	In-line, rear, bottom
Over range protection	Up to the max. working pressure from high side
Protection for gauge & switch	NEMA-4/IP 65

#### Options

- Glycerine filling
- Red follower pointer
- Customer logo
- Dual scale
- Colored arc



# PRECISION Instruments

## 400DGC Diaphragm Gauge Order Code

**400DGC G S 4.5 4N 1 SS F V 0 0-1" H<sub>2</sub>O**

- Options

**Model**  
300DGC

**Style**  
G = Gauge only  
GS = Gauge + Switch

**Body Material**  
A = Aluminum      B = Brass  
S = 316SS          M = Monel

**Dial Size**  
2.0 = 2"              4.0 = 4"  
2.5 = 2½"            4.5 = 4½"  
3.5 = 3½"            6.0 = 6"

**Connection**  
4N = ¼" FNPT (standard)  
ZZ = Special Connection

**Connection Location**  
1 = Inline (std.)  
2 = Rear/Back  
3 = Bottom

**Case**  
SS = 304SS (std.)    SF = 304SS Flange (Panel Mount)

**Lens**  
F = Glass (std.)    A = Acrylic      T = Toughened Glass

**Seals**  
B = Buna-n (std.)  
V = Viton  
E = EPDM

**Switch**  
0 = Contact Factory if switch required

**Range**

Inches H <sub>2</sub> O	MM H <sub>2</sub> O	mBar	Kpa
1	25	-	0.25
2	50	5	0.5
5	125	-	1.25
10	250	25	2.5
25	600	60	6

- 0 = None
- A = Glycerine Fill\*
- C = Customer Logo
- D = Dual Scale
- E = Colored Dial Arc
- F = Filter Screen in + Port
- H = Descending calibration
- N = NACE
- S = Silicone Fill\*\*
- I = Oxygen Clean
- M1 = 2" Horizontal Pipe Mount
- M2 = Surface Mount Bracket
- M3 = 2" Vertical Pipe Mount

Notes  
\* = Affects Accuracy

400DGC CONVERTED DIAPHRAGM GAUGE



Contact Information



Dynamic Controls & Sensors, Inc.

Postal Address

Physical Address

P.O.Box 5009

1515 Lakeville Dr., Suite D

Kingwood, TX 77325

Kingwood, TX 77339

voice: 281-812-9844 Fax: 281-812-9845

[www.precisionvalves.net](http://www.precisionvalves.net)

[sales@precisionvalves.net](mailto:sales@precisionvalves.net)