

# PRECISION

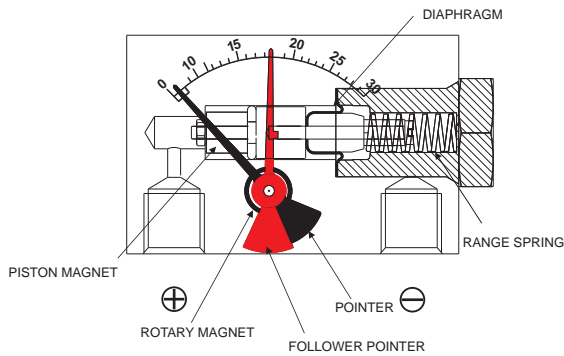
Differential Pressure Instruments



PRECISION Differential Pressure Instruments

# PRECISION Instruments

## LX GX 100 Low Cost Diaphragm Model



For gas application

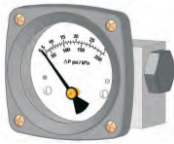


### COMBINATIONS

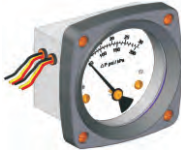
### LX GX 100

DP Range : 0-10 up to 0-30 Psid

#### Gauge



#### Gauge+switch (With a DIN plug)



### Specifications

Accuracy	±5% of FSD (Ascending)
Migration	No migration ; Zero leakage from high to low port
Range	0-0.75 upto 2 bar/psi dual scale
First marking on the scale	15% of the FSD
Sensing element	Diaphragm
Wetted parts	Body material, SS 302 spring, diaphragm & ceramic magnet
Case material	Engineered polymer
Dial size in inch / mm	2.5" (square)
Mounting	Direct
Maximum working pressure	1500 Psig
Maximum process temperature	175° F/80° C
Body material	Aluminium
Seals	Buna-N, Viton diaphragm & "O" rings
Window	Plexiglass (acrylic)
Connection	1/4" NPT(F) Std.
Porting	Bottom (54mm or 55mm C. D.), in-line
Protection for gauge & switch	IP 65
Over range protection	Up to the max. working pressure from high side only. Never pressurize only LP side beyond 350 Psig.

### Options:

- Customer logo
- Color band
- Red follower pointer

### Switches

- 1 or 2 SPDT switches (Factory set), 36" Flying Leads
- 3 VA AC (rms) or DC (max.), 30 V AC or DC (max) voltage
- Factory set

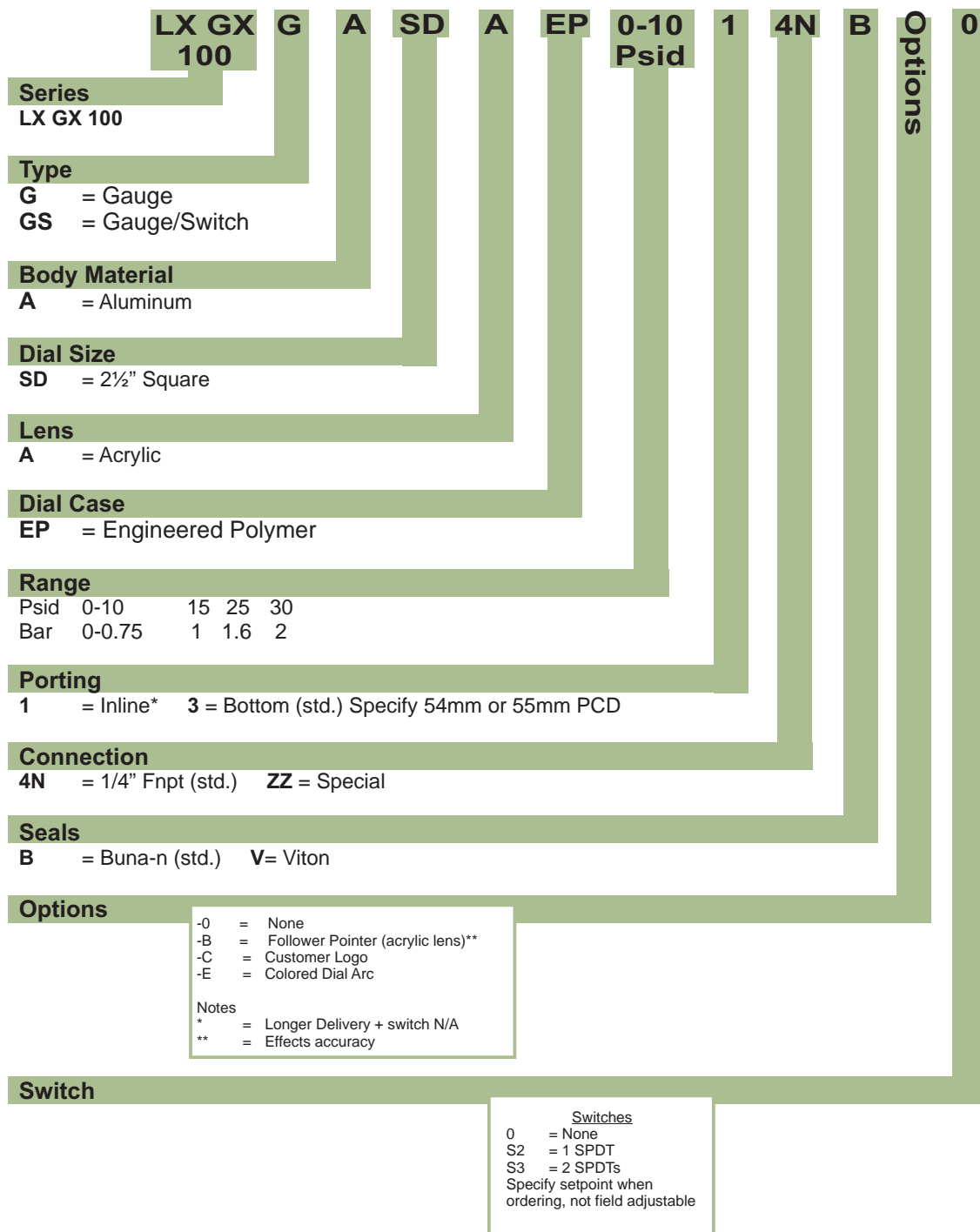


LX GX 100 PISTON GAUGE

# PRECISION Instruments

## LX GX 100 Low Cost Diaphragm Model

L  
X  
G  
X  
1  
0  
0  
D  
I  
A  
P  
H  
R  
A  
G  
M  
G  
A  
U  
G  
E





Contact Information



Dynamic Controls & Sensors, Inc.

Postal Address

Physical Address

P.O.Box 5009

1515 Lakeville Dr., Suite D

Kingwood, TX 77325

Kingwood, TX 77339

voice: 281-812-9844 Fax: 281-812-9845

[www.precisionvalves.net](http://www.precisionvalves.net)

[sales@precisionvalves.net](mailto:sales@precisionvalves.net)