

# PRECISION

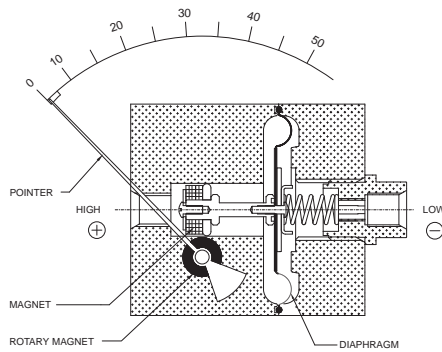
Differential Pressure Instruments



PRECISION Differential Pressure Instruments

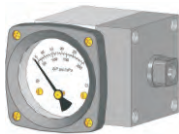
# PRECISION Instruments

## LX400DGC Series Convuluted Diaphragm Gauge

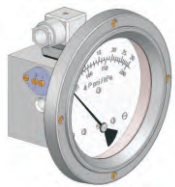


### COMBINATIONS

#### Gauge



#### Gauge + switch (with a DIN plug)



### MOUNTING BRACKETS



### LX 400 DGC

DP Range : 0-1 up to 0-25" H<sub>2</sub>O

#### Specifications

Accuracy	±2% of the FSD (Ascending)
Migration	<b>No migration : Zero leakage from high to low port</b>
Range	0-1 to 0-25 inches H <sub>2</sub> O or similar ranges in other units
First marking on the scale	15% of the FSD
Sensing element	<b>Diaphragm</b>
Wetted parts	Diaphragm, body material, 302 SS spring & ceramic magnet
Case material	Engineered polymer
Dial size in inch	2.5" (square), 4.5" (round)
Mounting	Line, front flange, 2" pipe & surface mounting
Maximum working pressure	500 psi.
Maximum process temperature	175° F/80°C
Body material	Aluminum & 316 SS
Seals	Buna-N, Viton, EPDM diaphragm & 'O' rings
Window	Plexiglass (acrylic)
Connection	1/4" FNPT Std.
Porting	In-line, rear, bottom, bottom & vent, in-line & vent, in-line & bottom.
Over range protection	Up to MAWP from high side
Protection for gauge & switch	NEMA-4X

#### Options

#### Switches (Adjustable in 40-100% of FSD)

Liquid filling	1 or 2 SPSTs
Red follower pointer (except 6")	1 SPDT
Customer logo	<b>Switch adjustment range 40-100% FSO</b>
Dual scale	
Colored Dial Arc	
1.6% Accuracy	



# PRECISION Instruments

## LX 400DGC Order Code

LX CONVOLUTED DIAPHRAGM GAUGE

**LX 400 DGC G S SD 4N 1 EP A V E 0-10 Psid** - Options

**Series**

**Model**  
300DGC

**Style**  
G = Gauge only  
GS = Gauge + Switch

**Body Material**  
A = Aluminum    B = Brass  
S = 316SS       M = Monel

**Dial Size**  
SD = 2½" Square  
RD = 4½" Round

**Connection**  
4N = ¼" FNPT (standard)  
ZZ = Special Connection

**Connection Location**  
1 = Inline (standard)    4 = Bottom & Vent  
2 = Rear/Back            5 = Inline & Vent  
3 = Bottom                6 = Inline & Vent

**Case**  
EP = Engineered Polymer

**Lens**  
A = Plexiglass (Acrylic)

**Seals**  
B = Buna-n (standard)  
V = Viton  
E = EPDM

**Switch**

<b>SPST Specifications</b>		<b>SPST Specifications</b>	
2	= 1 SPST w/terminal strip	1	= 10VA/100V/0.5 A (std)
2A	= 1 SPST w/relay	2	= 40VA/230V/1Amp
4	= 2 SPST w/terminal strip	3	= 100VA/300V/1Amp
4A	= 2 SPST w/relay	<b>+</b> <b>SPDT Specifications</b>	
<b>SPDT Specifications</b>		1	= 3VA/30V/0.3 Amp (std)
6	= 1 SPDT w/terminal strip	2	= 5VA/125V/0.25 Amp
8	= 2 SPDT w/terminal strip	3	= 5VA/175V/0.25 Amp
		4	= 60VA/400V/1 Amp*

**Range**

Inches H <sub>2</sub> O	MM H <sub>2</sub> O	mBar	Kpa
1	25	-	0.25
2	50	5	0.5
5	125	-	1.25
10	250	25	2.5
25	600	60	6

- 0 = None
  - A = Glycerine Fill\*\*
  - C = Customer Logo
  - D = Dual Scale
  - E = Colored Dial Arc
  - F = Filter Screen in + Port
  - H = Descending calibration
  - N = NACE
  - S = Silicone Fill\*\*
  - I = Oxygen Clean
  - M1 = 2" Horizontal Pipe Mount
  - M2 = Surface Mount Bracket
  - M3 = 2" Vertical Pipe Mount
- Notes  
\* = Switch Factory Set Only  
\*\* = Affects Accuracy



Contact Information



Dynamic Controls & Sensors, Inc.

Postal Address

Physical Address

P.O.Box 5009

1515 Lakeville Dr., Suite D

Kingwood, TX 77325

Kingwood, TX 77339

voice: 281-812-9844 Fax: 281-812-9845

[www.precisionvalves.net](http://www.precisionvalves.net)

[sales@precisionvalves.net](mailto:sales@precisionvalves.net)