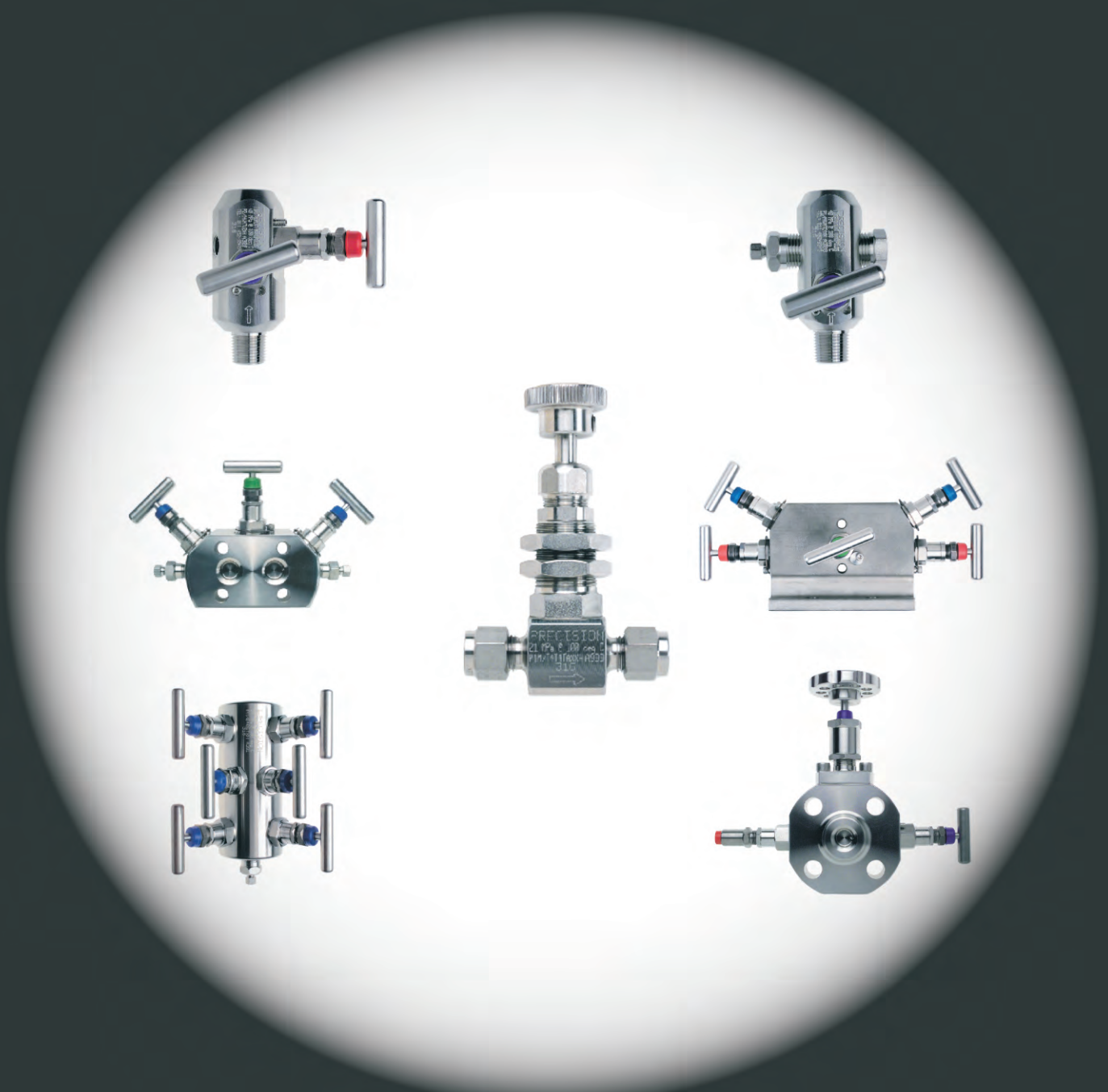


# PRECISION Instrument Manifolds



PRECISION Instrument Manifold & Valves  
"The New Standard"

# PRECISION Instrument Manifolds

## Multiport Gauge Valves - C Series

PRECISION'S line of Multiport Gauge Valves are ideal for isolation and instrument applications that require a bleed for trapped pressure and feature an extra port for either in-situ calibration, mounting an extra instrument or orientating instruments for vertical or horizontal installations. The C Series Multiport Gauge Valve (MPGV), bleeds the trapped pressure to atmosphere.

### Applications

Simple isolation applications and isolate and bleed applications for instruments or offline situations. The bleed plug vents to atmosphere so it is best not to use with toxic or hazardous materials.

### Features & Benefits

Each valve is fully tested prior to shipping. Each Precision valve is tested with nitrogen prior to shipment to maximum working pressure prior to shipment, twice, once after assembly, and again after the valve(s) have been fully opened and closed. All potential leak paths are tested, and each valve/manifold must be bubble tight to pass our stringent quality controls.

### Non-Rotating Trim Ensures Bubble Tight Shutoff

Tip is articulated at the seat, not the shaft/seal area, ensuring bubble tight shutoff for years of trouble free service. Articulating at the tip keeps the stem packing from being damaged by torque caused by misalignment of seat and tip.

### Stem is Back Seated

Valve stem has a shoulder to prevent accidental removal of stem from valve/bonnet.

### Solid, Fully Machined Bonnet Lock Pin

Bonnet lock pin is solid, fully machined with no sharp edges that could injure staff, prevents accidental removal of bonnet from body.

### Dowel Pin to hold Handle in Place

The handle is secured in place by a dowel pin that protrudes into valve shaft to hold it in place. Handles do not fall off in high vibration service.

### Full Traceability

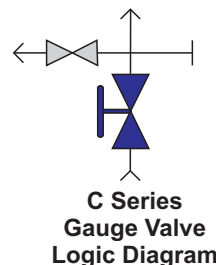
Every valve is permanently marked with a batch number that allows all element traceability.

### Wide variety of Materials

Available in a wide variety of materials of construction, our stainless steel valves are ALL stainless steel, including handles, valve shafts, and other non wetted parts. *Ideal for use in offshore or other corrosive environments!*



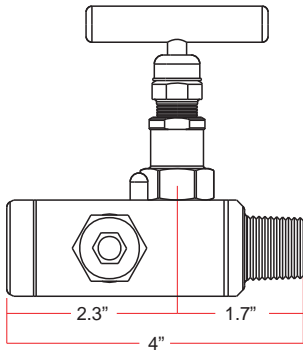
Typical Part Numbers			
1/2 x 1/2	F x F	P1/W4W4TC4XH	Standard Length
1/2 x 1/2	M x F	P1/M4W4TC4XH	Standard Length
3/4 x 1/2	M x F	P1/M6W4TC4XH-79	Extended Inlet
1/2 x 1/2	M x F	P1/M4W4GC4XH	316/Graphite



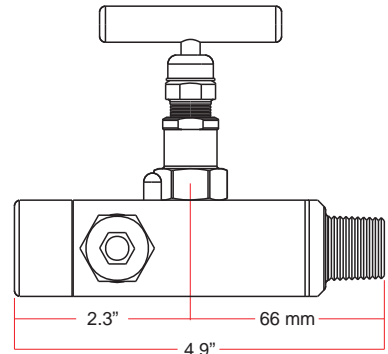
# PRECISION Instrument Manifolds

## Multiport Gauge Valve Inlet Extension Dimensions

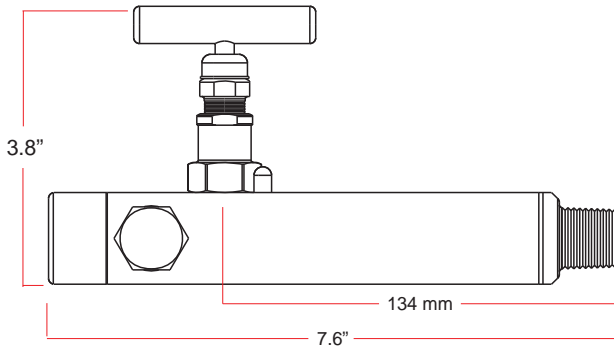
Extension Dimensions are based on the additional metric length of the inlet  
To Convert mm to Inches - Divide by 25.4



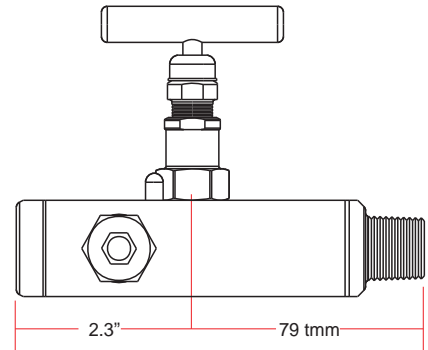
**Standard Body**



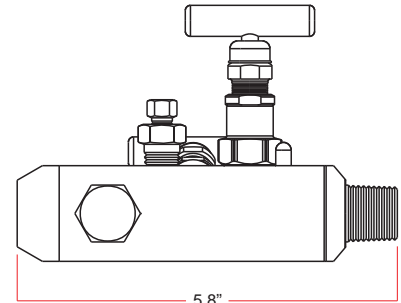
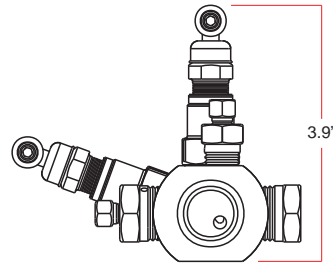
**Extended Body -66**



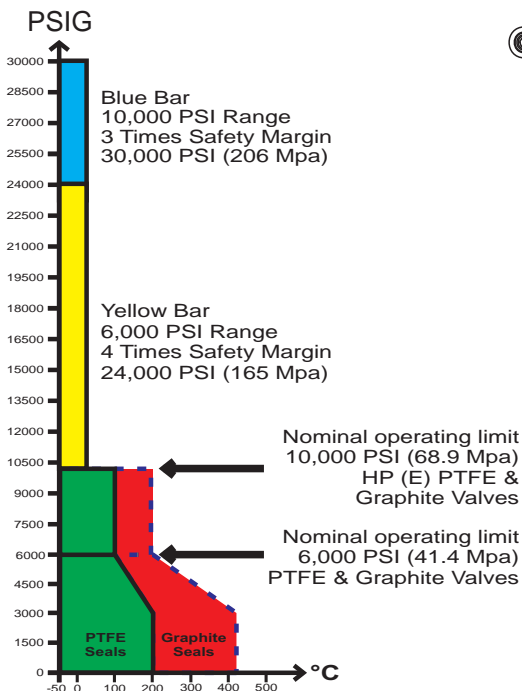
**Extended Body -134**



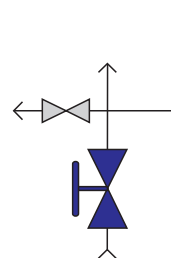
**Extended Body -79**



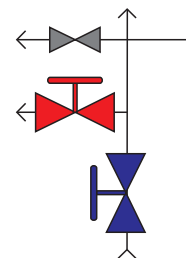
**Two Way MPG**



### Flow Schematics



**Standard C Series Flow Schematic**

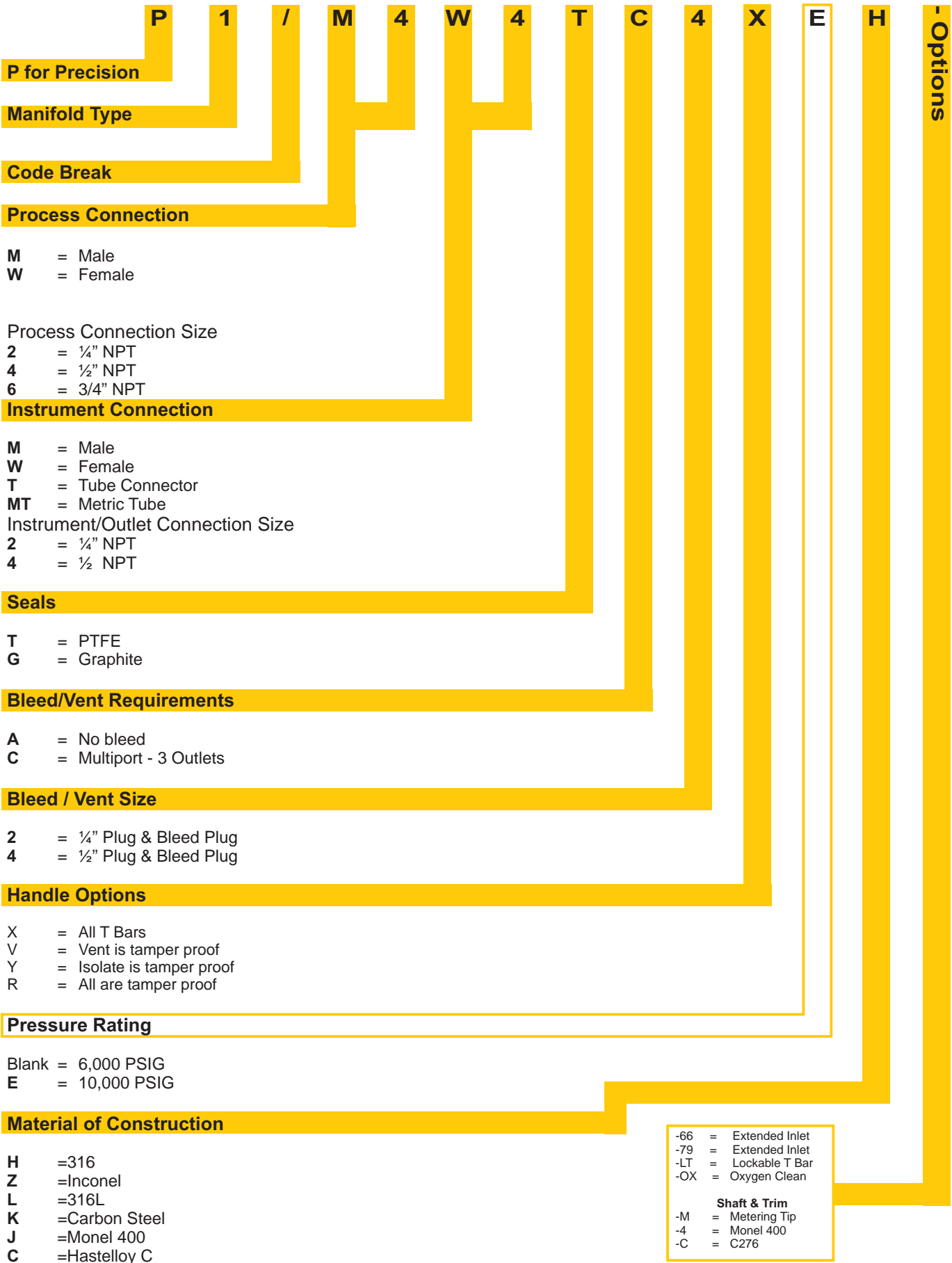


**Customized C & V Flow Schematic**

# PRECISION Instrument Manifolds

## Multiport Gauge Valve Selection Chart

M  
U  
L  
T  
I  
P  
O  
R  
T  
G  
A  
U  
G  
E  
V  
A  
L  
V  
E  
S



**P for Precision**

**Manifold Type**

**Code Break**

**Process Connection**

M = Male  
W = Female

**Process Connection Size**

2 = 1/4" NPT  
4 = 1/2" NPT  
6 = 3/4" NPT

**Instrument Connection**

M = Male  
W = Female  
T = Tube Connector  
MT = Metric Tube

**Instrument/Outlet Connection Size**

2 = 1/4" NPT  
4 = 1/2" NPT

**Seals**

T = PTFE  
G = Graphite

**Bleed/Vent Requirements**

A = No bleed  
C = Multiport - 3 Outlets

**Bleed / Vent Size**

2 = 1/4" Plug & Bleed Plug  
4 = 1/2" Plug & Bleed Plug

**Handle Options**

X = All T Bars  
V = Vent is tamper proof  
Y = Isolate is tamper proof  
R = All are tamper proof

**Pressure Rating**

Blank = 6,000 PSIG  
E = 10,000 PSIG

**Material of Construction**

H = 316  
Z = Inconel  
L = 316L  
K = Carbon Steel  
J = Monel 400  
C = Hastelloy C

-66 = Extended Inlet  
-79 = Extended Inlet  
-LT = Lockable T Bar  
-OX = Oxygen Clean

**Shaft & Trim**  
-M = Metering Tip  
-4 = Monel 400  
-C = C276

- Options



Contact Information



Dynamic Controls & Sensors, Inc.

Postal Address

Physical Address

P.O.Box 5009

1515 Lakeville Dr., Suite D

Kingwood, TX 77325

Kingwood, TX 77339

voice: 281-812-9844 Fax: 281-812-9845

[www.precisionvalves.net](http://www.precisionvalves.net)

[sales@precisionvalves.net](mailto:sales@precisionvalves.net)